



3800 Series

Brass pull handles



The Legge 3800 series brass pull handle range has been designed, manufactured, and finished in New Zealand with solid brass, ensuring greater durability. The range can be used for both residential and commercial projects.

This range includes round and square designs in straight and offset options. These pull handles can be fixed to timber, aluminium and glass doors.

Features

- Finishes to match premium Legge Luxe range
- Suitable for standard back to back or optional single side installation
- Form fit fixings to maintain a clean aesthetic design
- Available with standard fixing centres of 600mm



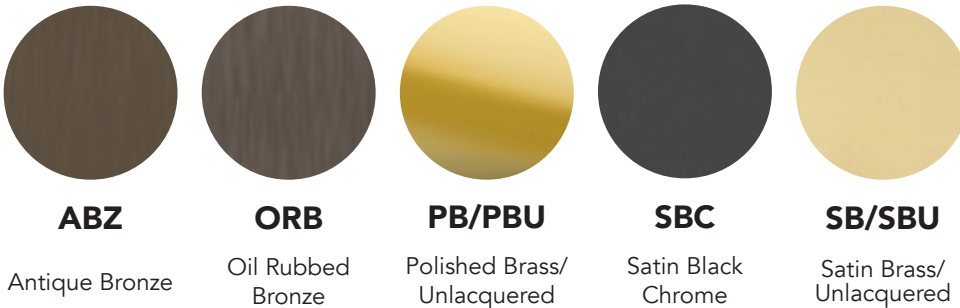
Warranties	
Mechanical	10 years
Finish	allegion.co.nz/finisheswarranty

Specification guide

Brand	Length (Fixing Centres)	Style	Configuration	Finish
Legge L	625mm (600mm) BPH-6	Tenor - round straight RS Piccolo - square straight SS Tuba - round offset RO Cornet - square offset SO	External only pull SFE Internal only pull FFI Internal + external pull BB (Fixings supplied, refer to following page)	Antique bronze ABZ Oil rubbed bronze ORB Polished brass (lacquered) PB Polished brass unlacquered PBU Satin black chrome SBC Satin brass (lacquered) SB Satin brass unlacquered SBU

- 1. Select the length**
Select the length e.g. 625mm LBPH-6
- 2. Pull handle style**
Select the desired style - refer following pages e.g. Tuba - round offset LBPH-6-RO
- 3. Pull handle configuration**
Select the desired configuration e.g. external only pull LBPH-6-RO-SFE
- 4. Pull handle finish**
Select the desired finish e.g. satin brass unlacquered LBPH-6-RO-SFE-SBU

Finishes



Technical specifications

Door thickness	Back to back: 10mm to 70mm Single side: 35mm to 70mm
Door type	Timber, aluminium and glass
Fixing centres	600mm Back to back - M6 throughbolt
Fixing	Single fix external - M6 throughbolt with finish matching screw cap Face fix internal - Aluminium: rivet nut insert and M6 screw Timber: 12g timber screw (face fixing is not suitable for soft timber)
Materials	C380 and C385 grade brass Stainless steel fixings
Accessories	Single external fixing kit (LBPH-SFE-finish) Single internal fixing kit (LBPH-FFI) Pair fixing kit (LBPH-BB)

Drilling Details		
Door type	Back to back (BB) and Single fix external (SFE)	Face fix internal (FFI)
Timber	10mm	Pre drill - 4mm
Aluminium	10mm	9mm
Glass	10mm	N/A

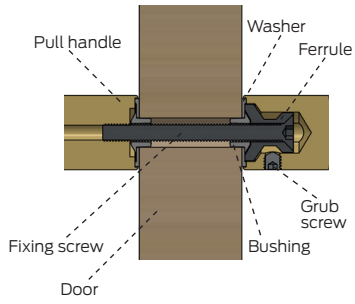
Testing and Compliance



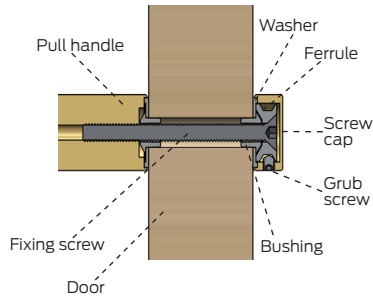
Accessibility:
Compliant to the AS 1428:1-2009 Design for Access and Mobility

Fixing detail

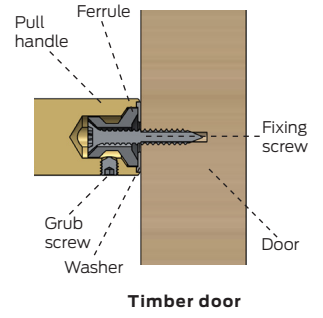
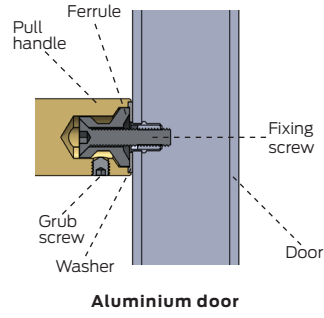
Back to back fixing (BB)



Single fix external (SFE)

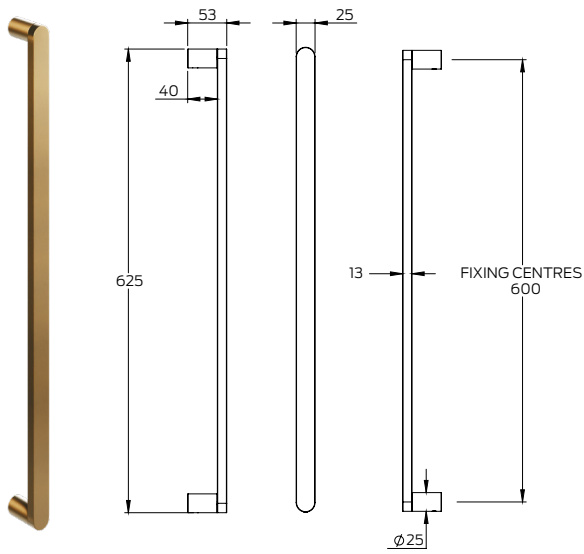


Face fix internal (FFI)



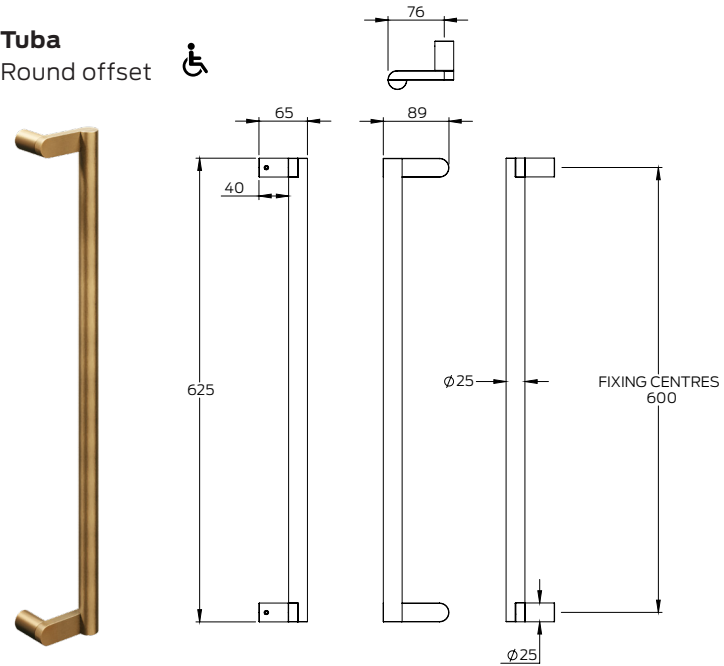
Tenor

Round straight



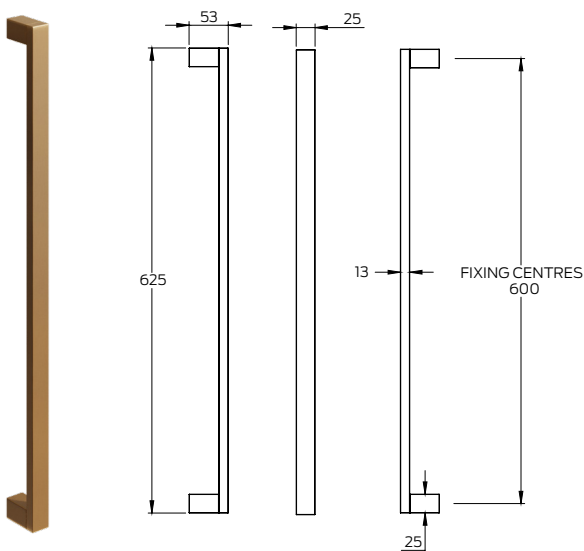
Tuba

Round offset



Piccolo

Square straight



Cornet

Square offset

